

# Technical Description



## Billing And Usage Module Associate Order Processing System (AOPS)

**DRAFT**

File: u:\bill\aos\overview\billusge\overview\040397\_a.doc  
Authors: William S. Whiteside  
Version: 1.0  
Issued: 04-15-97

© Copyright 1997 Office Depot, Inc. — The reproduction, transmission or use of this document or contents is not permitted without express written authority. Offenders will be liable for damages. All rights, including rights created by patent grant or registration of a utility model or design, are reserved.

**Billing And Usage Module  
(For AOPS)**

**ABSTRACT**

This document contains a technical description of the Billing And Usage Module of the Associate Order Processing System (AOPS). It has been developed to provide a high-level description for a testing environment. As such, it is intended for distribution to the Office Depot MIS personnel having the need to know and who are authorized by Office Depot MIS management.

**CURRENT VERSION**

<b>Creation Date:</b> 03-17-97	<b>Revision:</b> 2		
Author(s): W. Whiteside	Filename: u:\bill\aos\overview\billusge\overview\040397_a.doc		
MIS Approval:	Signature	Date	

**REVISION HISTORY**

Revision	Date	Prepared By	Description
1	03-21-97	W. Whiteside	Initial Draft for Outline
2	04-15-97	W. Whiteside	First Draft — For First Technical Review
3			

**SUPPLEMENTAL DOCUMENTS**

TITLE	LOCATION	CONTACT
NONE		

**DRAFT**

## CONTENTS

1. PURPOSE OF THIS DOCUMENT ..... 1

2. AUDIENCE ..... 1

3. DATA FLOW ..... 2

    3.1. GENERAL OVERVIEW ..... 2

    3.2. SUMMARY BILLING REPORTS ..... 6

    3.3. CUSTOMER USAGE REPORTS ..... 10

        3.3.1. Auto Scheduled Reports ..... 10

        3.3.2. On-Request Reports (Pre-Defined)..... 14

        3.3.3. On-Request Reports (Ad Hoc) ..... 18

4. FILE LAYOUTS ..... 22

5. PROGRAMMING RULES ..... 23

## FIGURES

FIGURE 1. GENERAL OVERVIEW — CUSTOMER REPORT SETUP ..... 3

FIGURE 2. GENERAL OVERVIEW — RUNNING REPORTS ON DEMAND — BILLING OR USAGE ..... 4

FIGURE 3. GENERAL OVERVIEW — NIGHTLY REPORTING ..... 5

FIGURE 4. DATA FLOW: SUMMARY BILLING (CONTINUED FROM FIGURE 3) ..... 7

FIGURE 5. DATA FLOW: DETAILED SUMMARY BILLING (CONTINUED FROM FIGURE 3) ..... 8

FIGURE 6. DATA FLOW: INVOICING (CONTINUED FROM FIGURE 3) ..... 9

FIGURE 7. DATA FLOW: CUSTOMER USAGE REPORT / AUTO ..... 11

FIGURE 8. DATA FLOW: USAGE REPORT / AUTO (CONTINUED FROM FIGURE 7) ..... 12

FIGURE 9. DATA FLOW: USAGE REPORT / AUTO (CONTINUED FROM FIGURE 7) ..... 12

FIGURE 10. DATA FLOW: USAGE REPORT / AUTO (CONTINUED FROM FIGURE 7) ..... 13

FIGURE 11. DATA FLOW: USAGE REPORT / PRE-DEFINED ..... 15

FIGURE 12. DATA FLOW: USAGE REPORT / PRE-DEFINED (CONTINUED FROM FIGURE 11) ..... 16

FIGURE 13. DATA FLOW: USAGE REPORT / PRE-DEFINED (CONTINUED FROM FIGURE 11) ..... 16

FIGURE 14. DATA FLOW: USAGE REPORT / PRE-DEFINED (CONTINUED FROM FIGURE 11) ..... 17

FIGURE 15. DATA FLOW: USAGE REPORT / AD HOC ..... 19

FIGURE 16. DATA FLOW: USAGE REPORT / AD HOC (CONTINUED FROM FIGURE 15) ..... 20

FIGURE 17. DATA FLOW: USAGE REPORT / AD HOC (CONTINUED FROM FIGURE 15) ..... 20

FIGURE 18. DATA FLOW: USAGE REPORT / AD HOC (CONTINUED FROM FIGURE 15) ..... 21

**DRAFT**

## **1. PURPOSE OF THIS DOCUMENT**

The purpose of this document is to provide high-level technical aspects of the Billing And Usage Module of the Associate Order Processing System (AOPS). It is to be used primarily for a testing environment commencing on April 1, 1997. There are types of data provided herein:

- DATA FLOW (Page 2)
- FILE LAYOUTS (Page 22)
- PROGRAMMING RULES (Page 23)

## **2. AUDIENCE**

The audience for this document consists of developers and testers involved in the ABS implementation.

### 3. DATA FLOW

This section contains the data flow diagrams for the processes that are performed from within the Billing and Usage function. The purpose of each diagram is to provide a general understanding of the data flow within each process of the Billing And Usage function. The diagrams are presented in three sections:

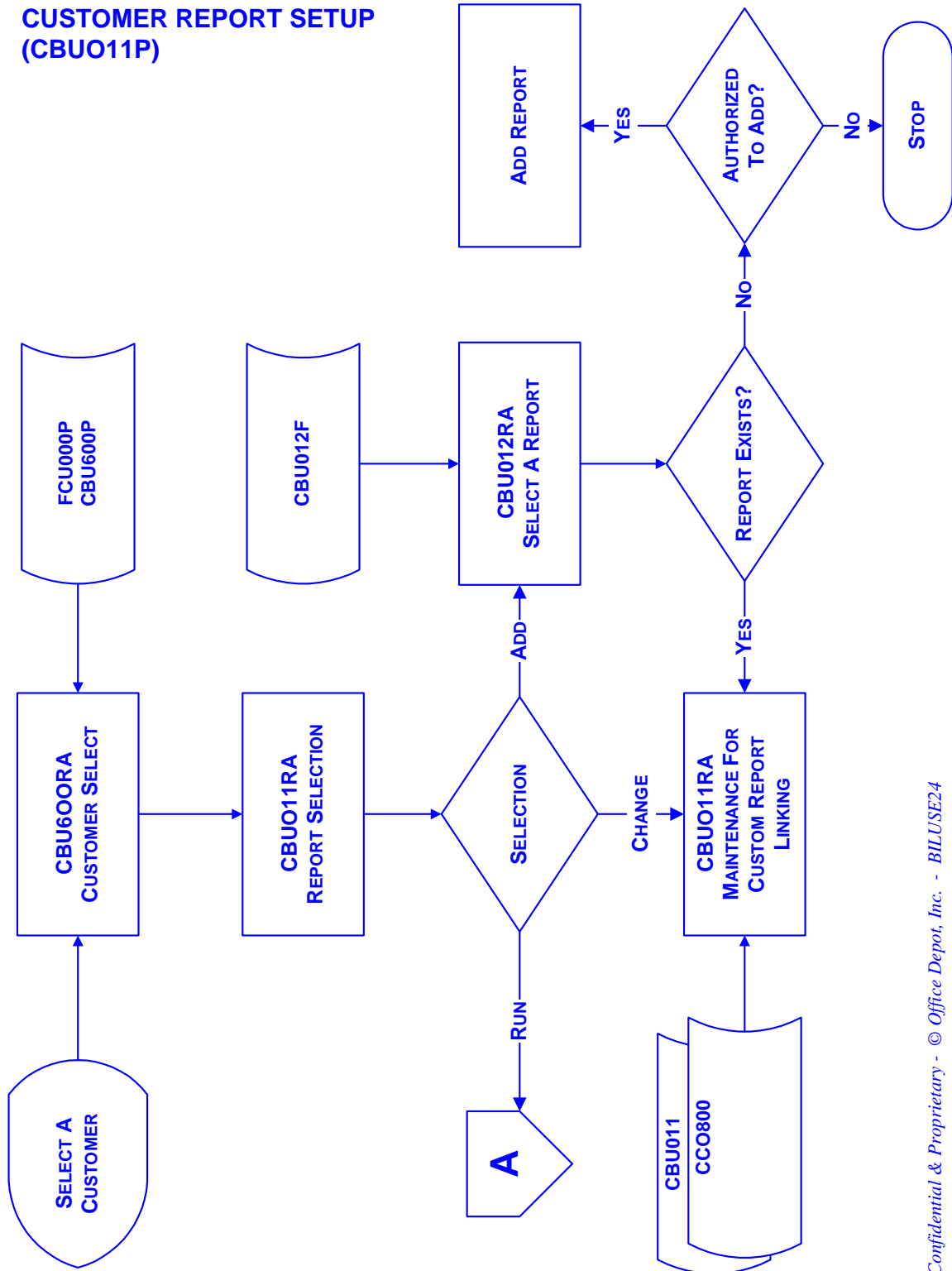
- General Overview (Section 3.1, page 2)
- Summary Billing Reports (Section 3.2, page 6)
- Customer Usage Reports (Section 3.3, page 10)

#### 3.1. GENERAL OVERVIEW

This section contains data flow diagrams that provide a general overview of two AOPS functions or sub-systems. The two sub-systems comprise the Summary Billing Sub-System and the Customer Usage Sub-System. Detailed specifications of each sub-system are included in subsequent sections titled Summary Billing Reports on page 6 and Customer Usage Reports on page 10.

*Figure 1 through Figure 3 provide the general overview of the Billing and Usage Module.*

### CUSTOMER REPORT SETUP (CBU011P)

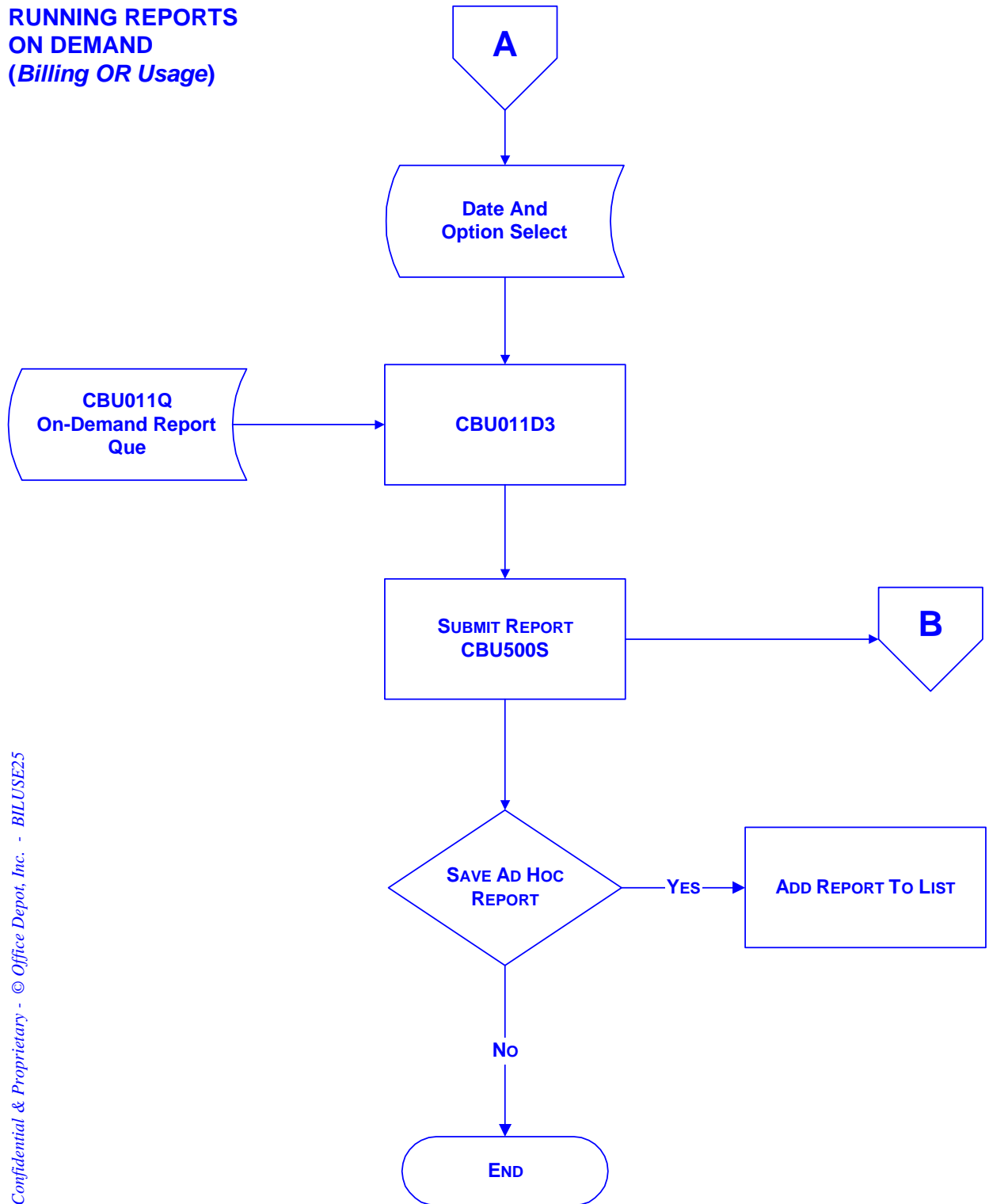


Confidential & Proprietary - © Office Depot, Inc. - BILUSE24

Figure 1. General Overview — Customer Report Setup

**DRAFT**

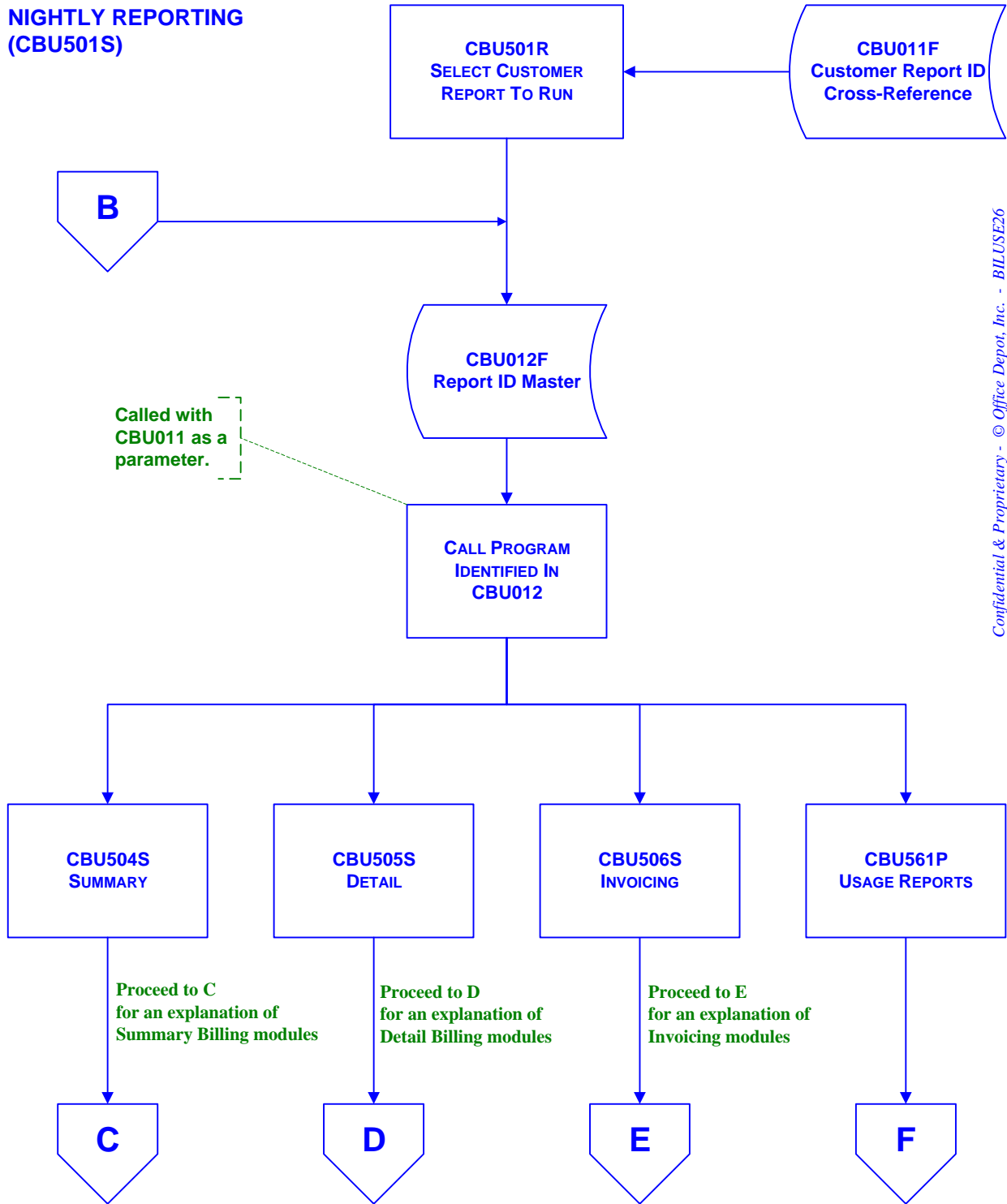
**RUNNING REPORTS  
ON DEMAND  
(Billing OR Usage)**



Confidential & Proprietary - © Office Depot, Inc. - BILUSE25

**Figure 2. General Overview — Running Reports On Demand — Billing OR Usage**

**DRAFT**



Confidential & Proprietary - © Office Depot, Inc. - BILUSE26

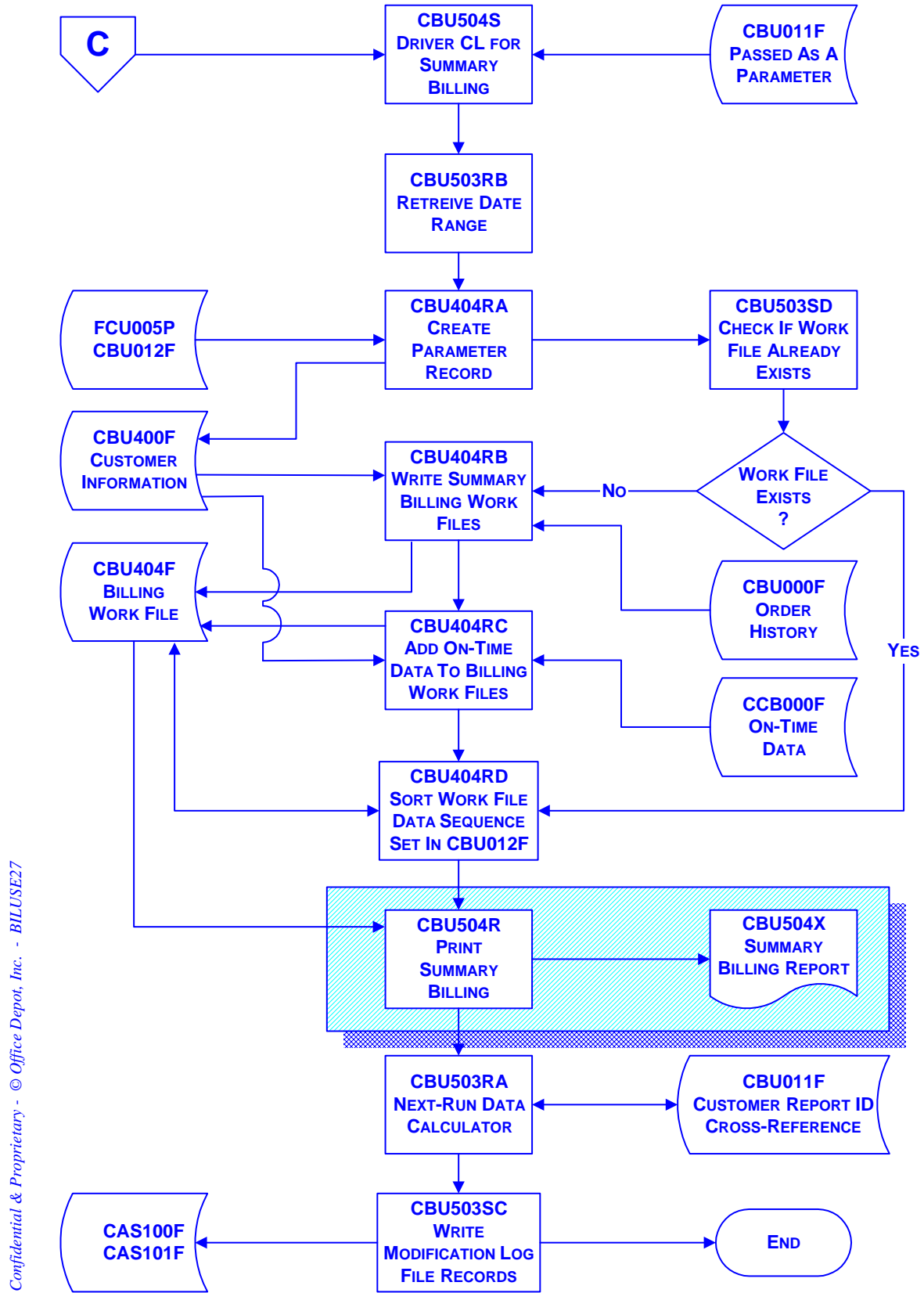
Figure 3. General Overview — Nightly Reporting

**DRAFT**



### 3.2. SUMMARY BILLING REPORTS

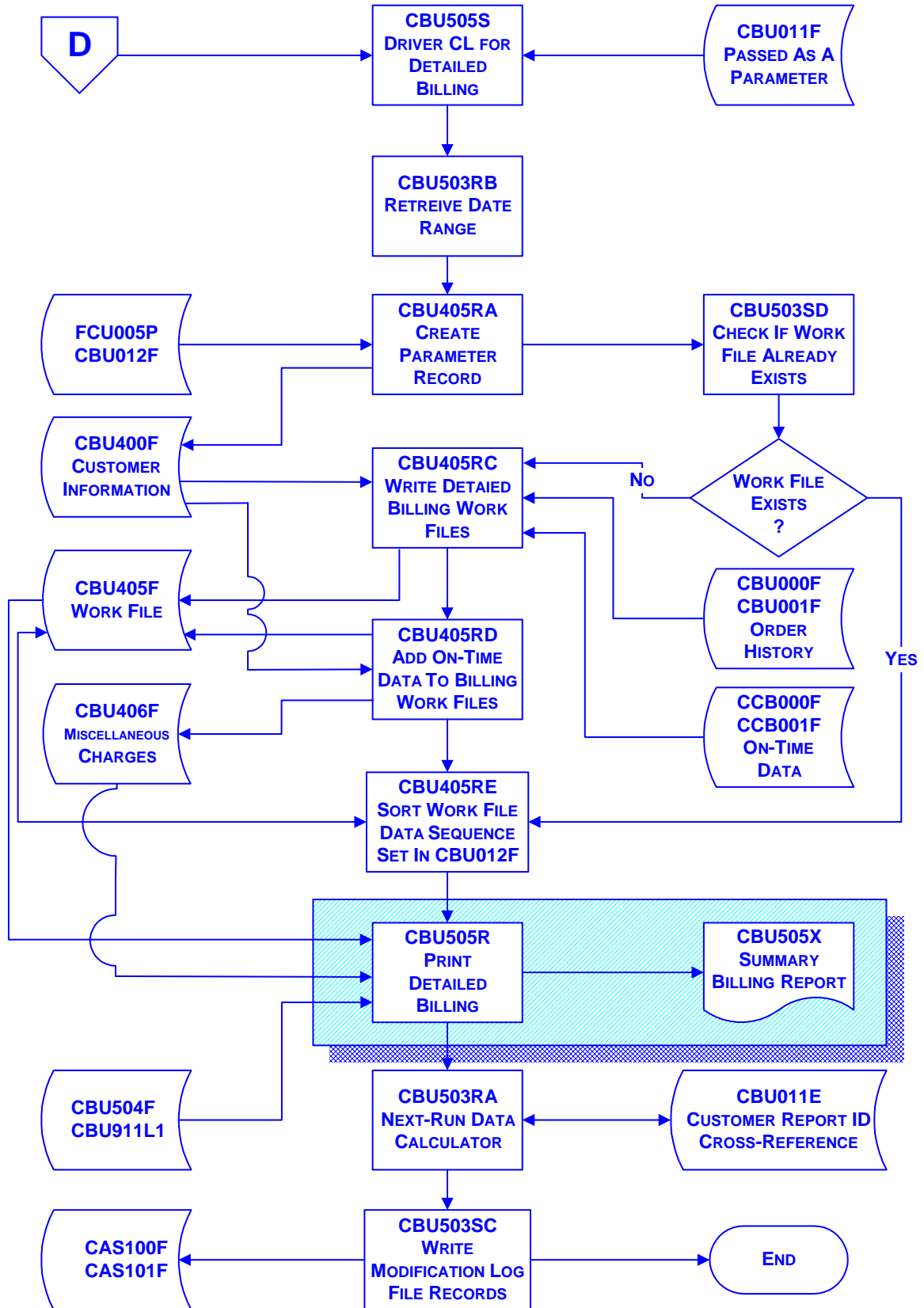
The flow charts provided in this section (*Figure 4*, *Figure 5*, and *Figure 6*) illustrate the data flow of the Summary Billing Sub-System. All three charts are continuations from *Figure 3*.



Confidential & Proprietary - © Office Depot, Inc. - BILUSE27

Figure 4. Data Flow: Summary Billing (Continued from Figure 3)

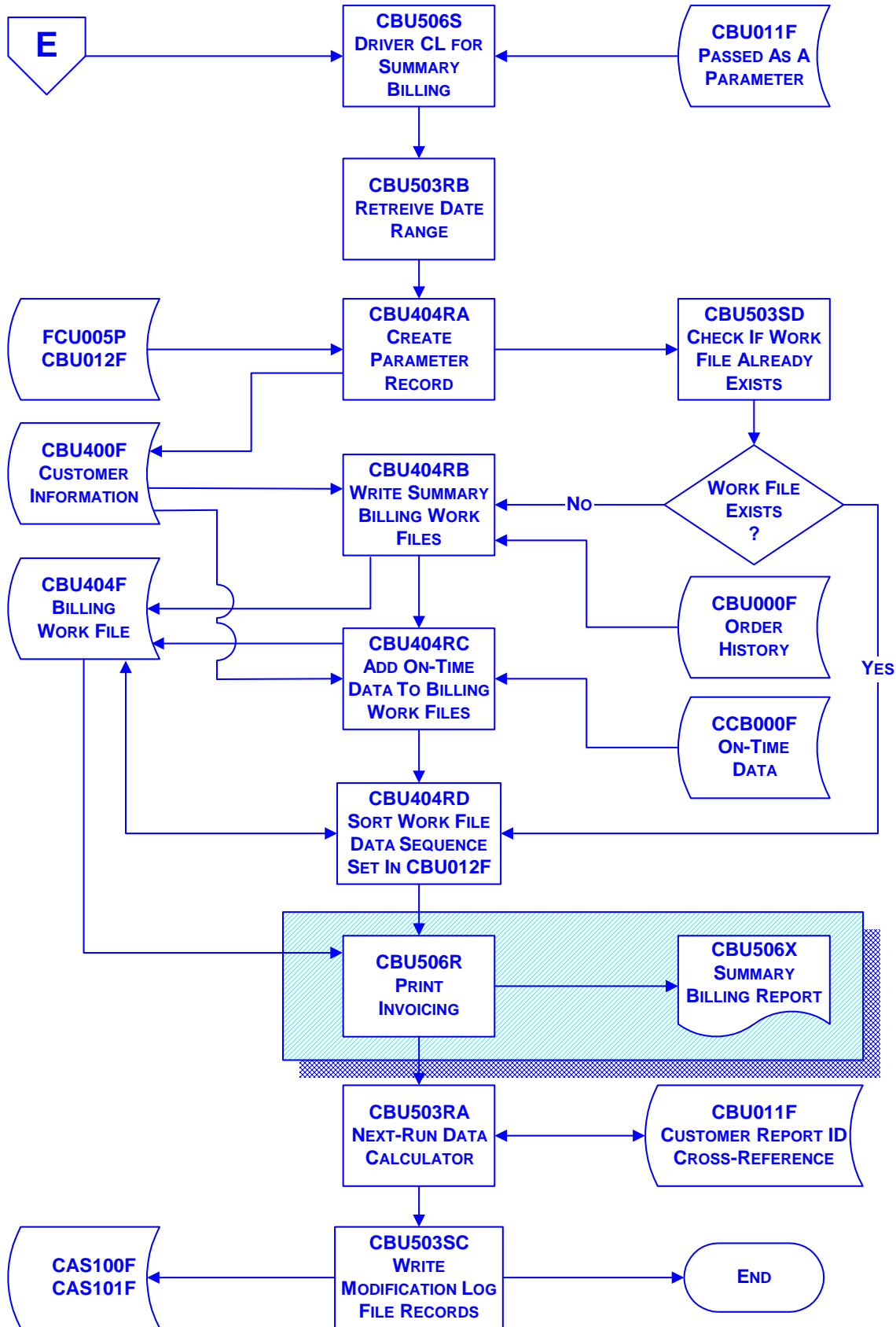
DRAFT



Confidential & Proprietary - © Office Depot, Inc. - BILUSE28

Figure 5. Data Flow: Detailed Summary Billing (Continued from Figure 3)

DRAFT



Confidential & Proprietary - © Office Depot, Inc. - BILUSE29

Figure 6. Data Flow: Invoicing (Continued from Figure 3)

DRAFT

### 3.3. CUSTOMER USAGE REPORTS

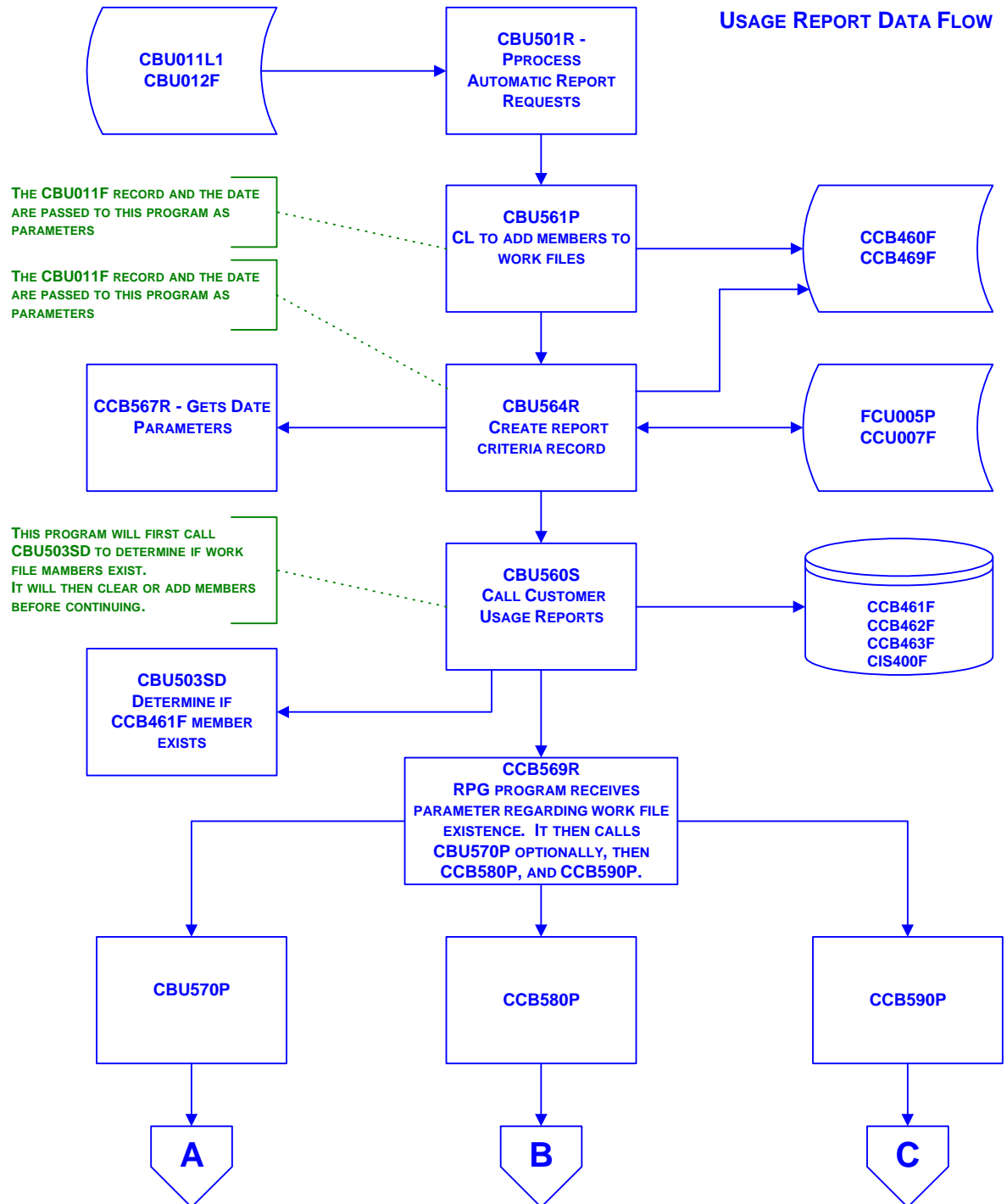
There are three methods of generating Customer Usage Reports. They are:

- Auto Scheduled Reports (Section 3.3.1)
- On-Request Reports (Pre-Defined) (Section 3.3.2)
- On-Request Reports (Ad Hoc) (Section 3.3.3)

#### 3.3.1. Auto Scheduled Reports

Auto Scheduled Reports are pre-defined reports that are printed on a regular frequency. The frequency is determined and scheduled during the Customer Account Setup process.

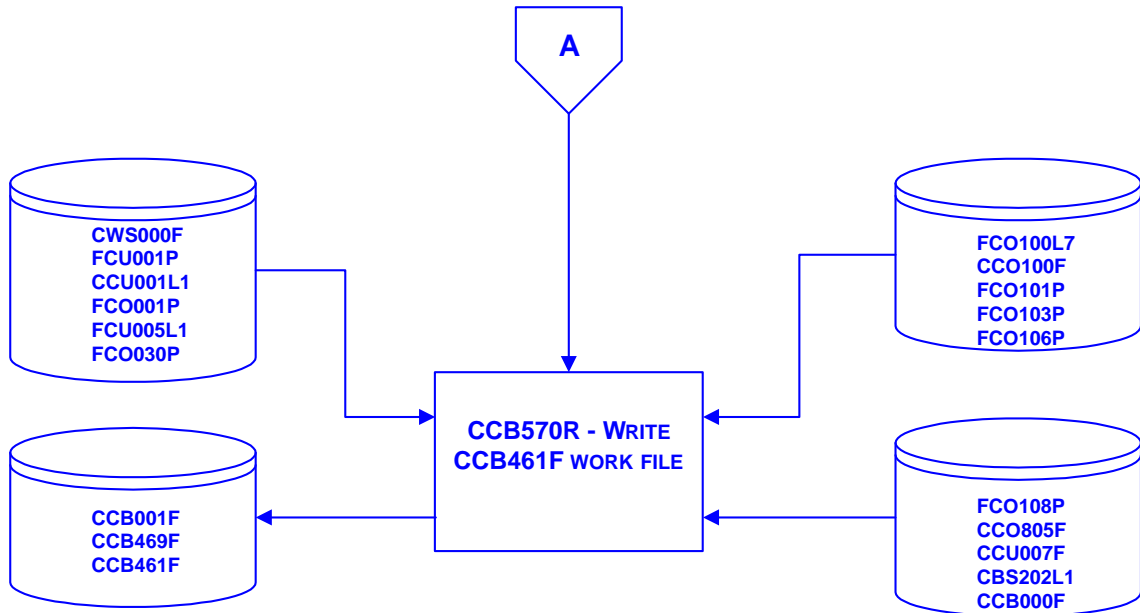
The flow charts provided in this section illustrate the data flow of the Auto Scheduled Reports sub-system. These data flow charts are illustrated in *Figure 7* through *Figure 10*.



Confidential & Proprietary - © Office Depot, Inc. - BILUSE30

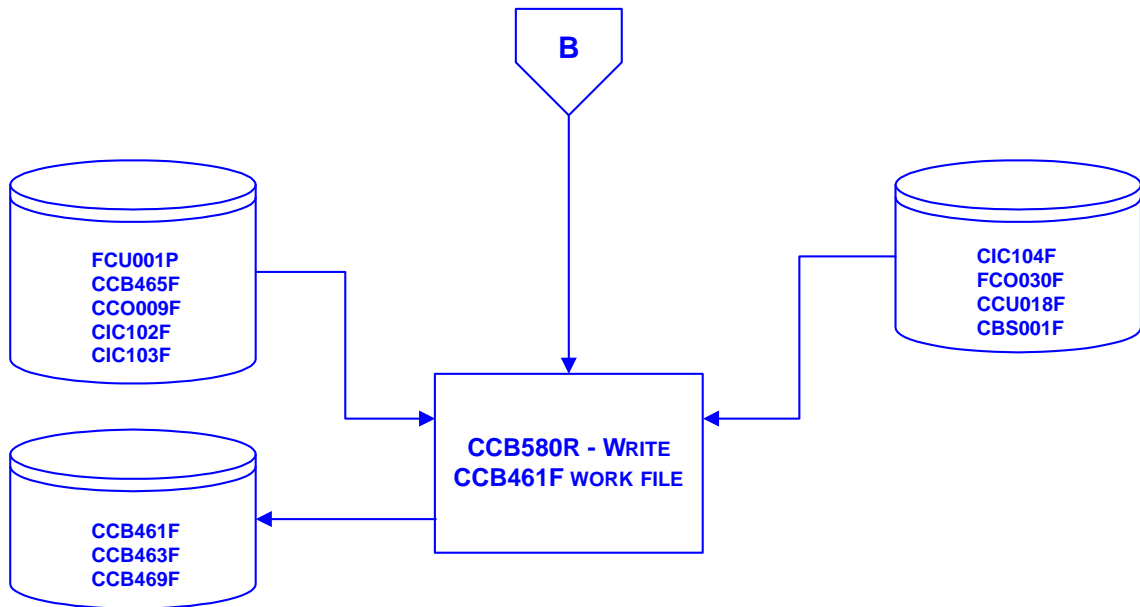
**Figure 7. Data Flow: Customer Usage Report / Auto**

DRAFT



Confidential & Proprietary - © Office Depot, Inc. - BILUSE31

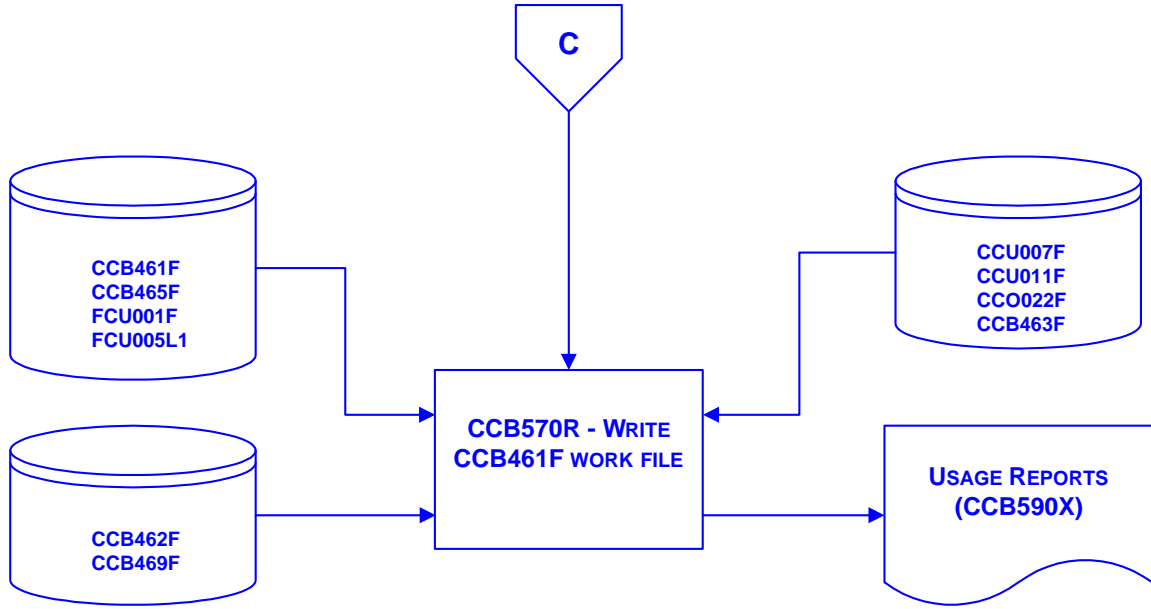
Figure 8. Data Flow: Usage Report / Auto (Continued from Figure 7)



Confidential & Proprietary - © Office Depot, Inc. - BILUSE32

Figure 9. Data Flow: Usage Report / Auto (Continued from Figure 7)

**DRAFT**



Confidential & Proprietary - © Office Depot, Inc. - BILUSE33

Figure 10. Data Flow: Usage Report / Auto (Continued from Figure 7)

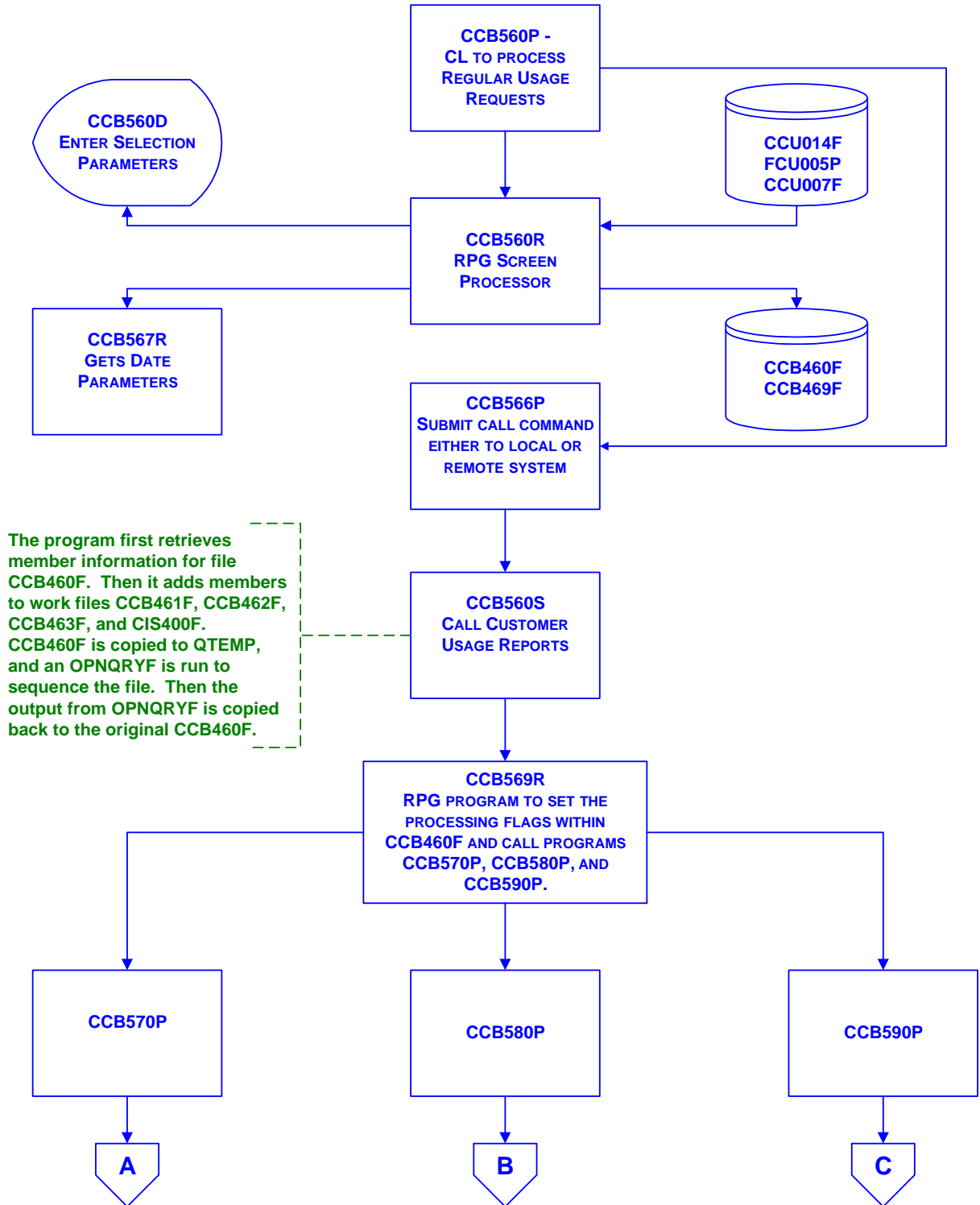
**DRAFT**



### 3.3.2. On-Request Reports (Pre-Defined)

On Request Reports (Pre-Defined) are pre-defined reports that are printed only **on request**. The frequency is determined and scheduled via requests from users in the field.

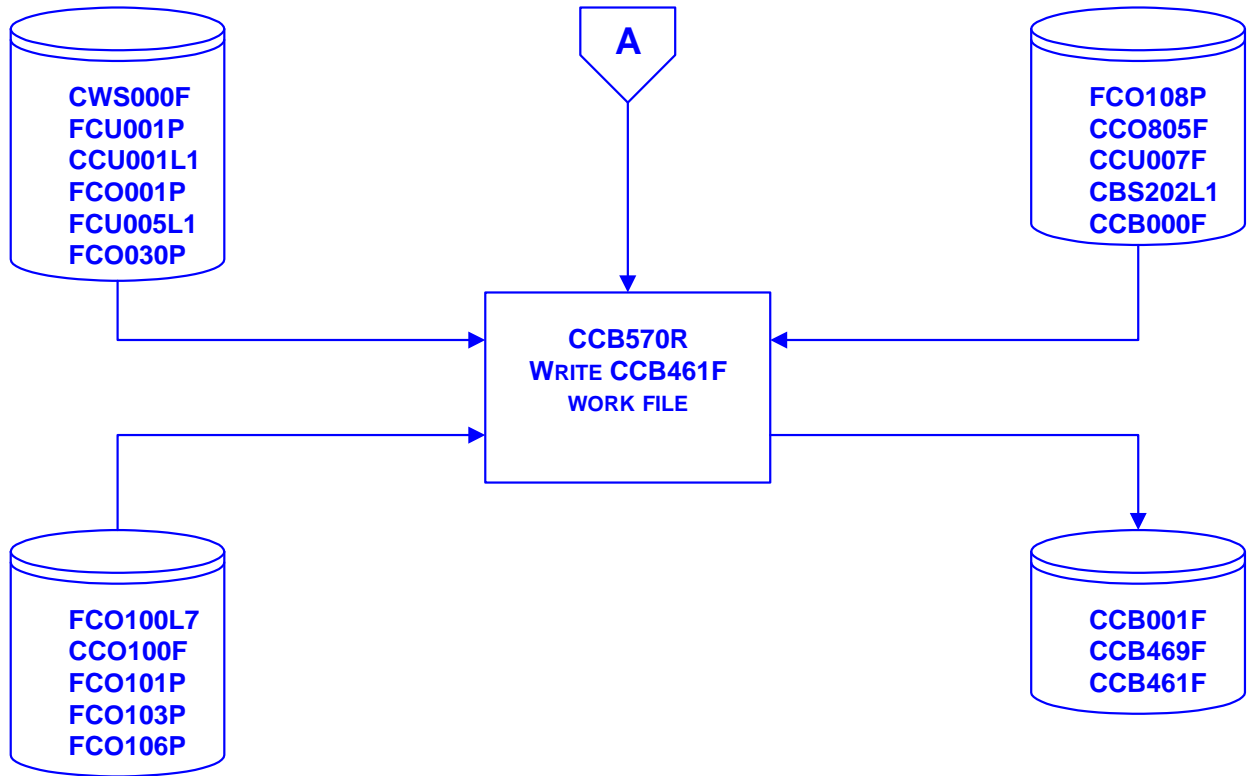
The flow charts provided in this section illustrate the data flow of the On Request Reports (Pre-Defined) sub-system. These data flow charts are illustrated in *Figure 11* through *Figure 14*.



Confidential & Proprietary - © Office Depot, Inc. - BILLUSE16

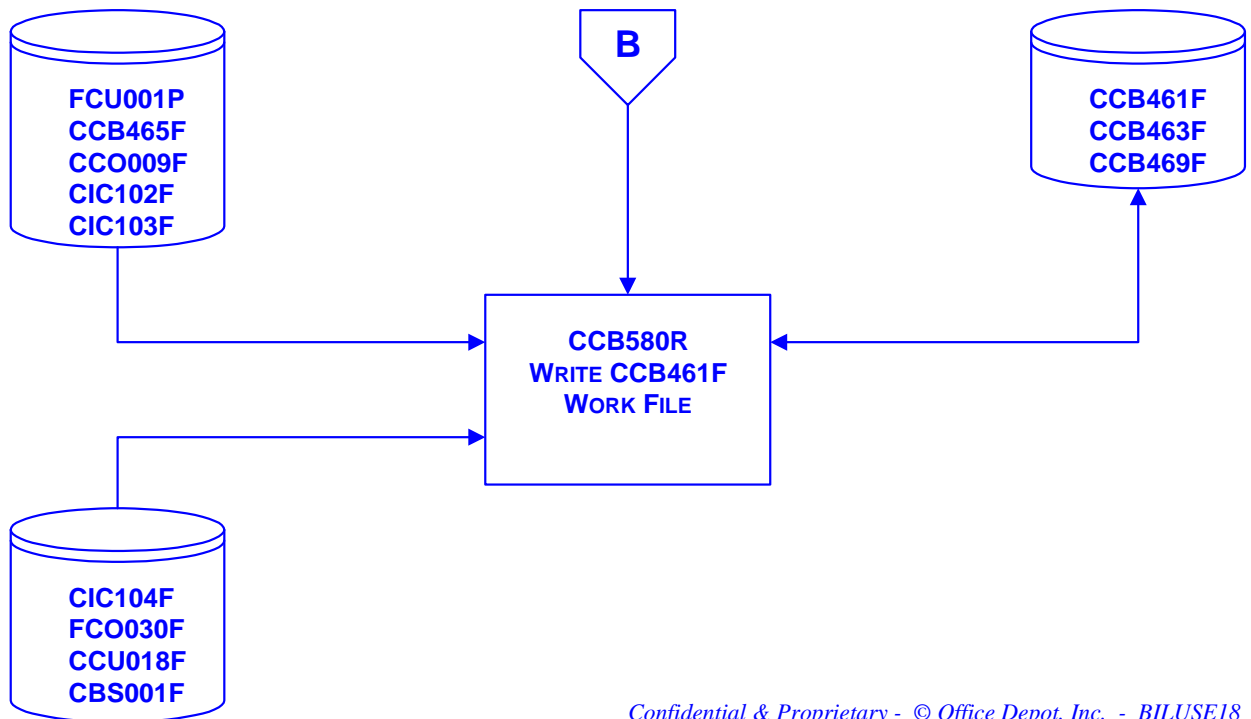
Figure 11. Data Flow: Usage Report / Pre-Defined

DRAFT



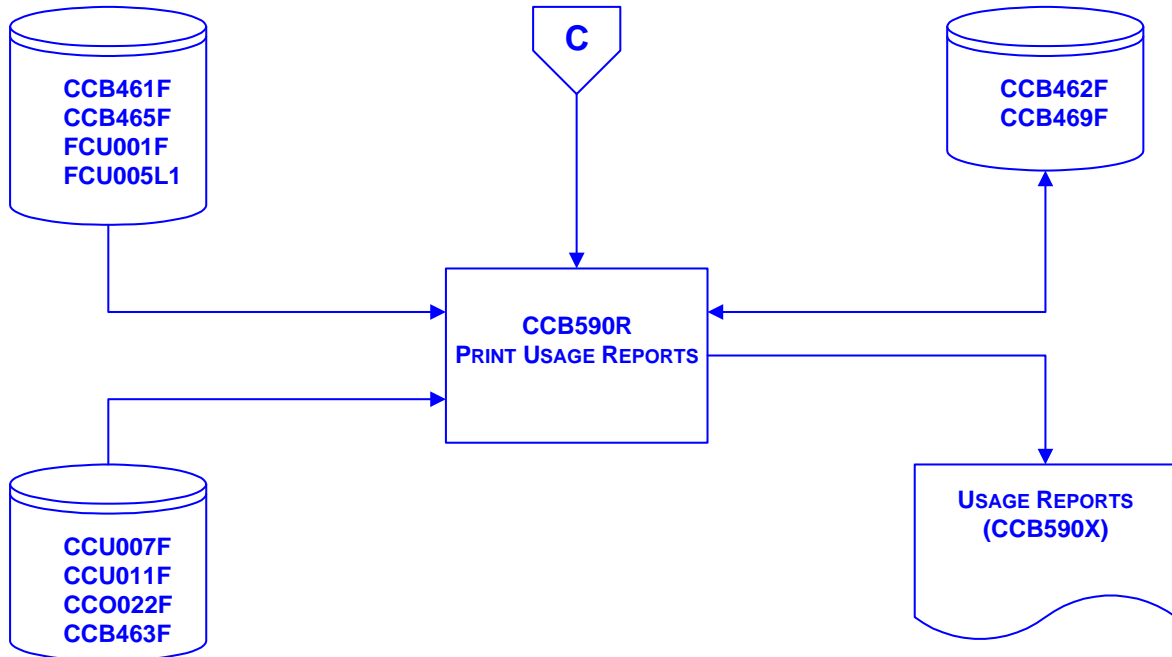
Confidential & Proprietary - © Office Depot, Inc. - BILUSE17

Figure 12. Data Flow: Usage Report / Pre-Defined (Continued from Figure 11)



Confidential & Proprietary - © Office Depot, Inc. - BILUSE18

Figure 13. Data Flow: Usage Report / Pre-Defined (Continued from Figure 11)



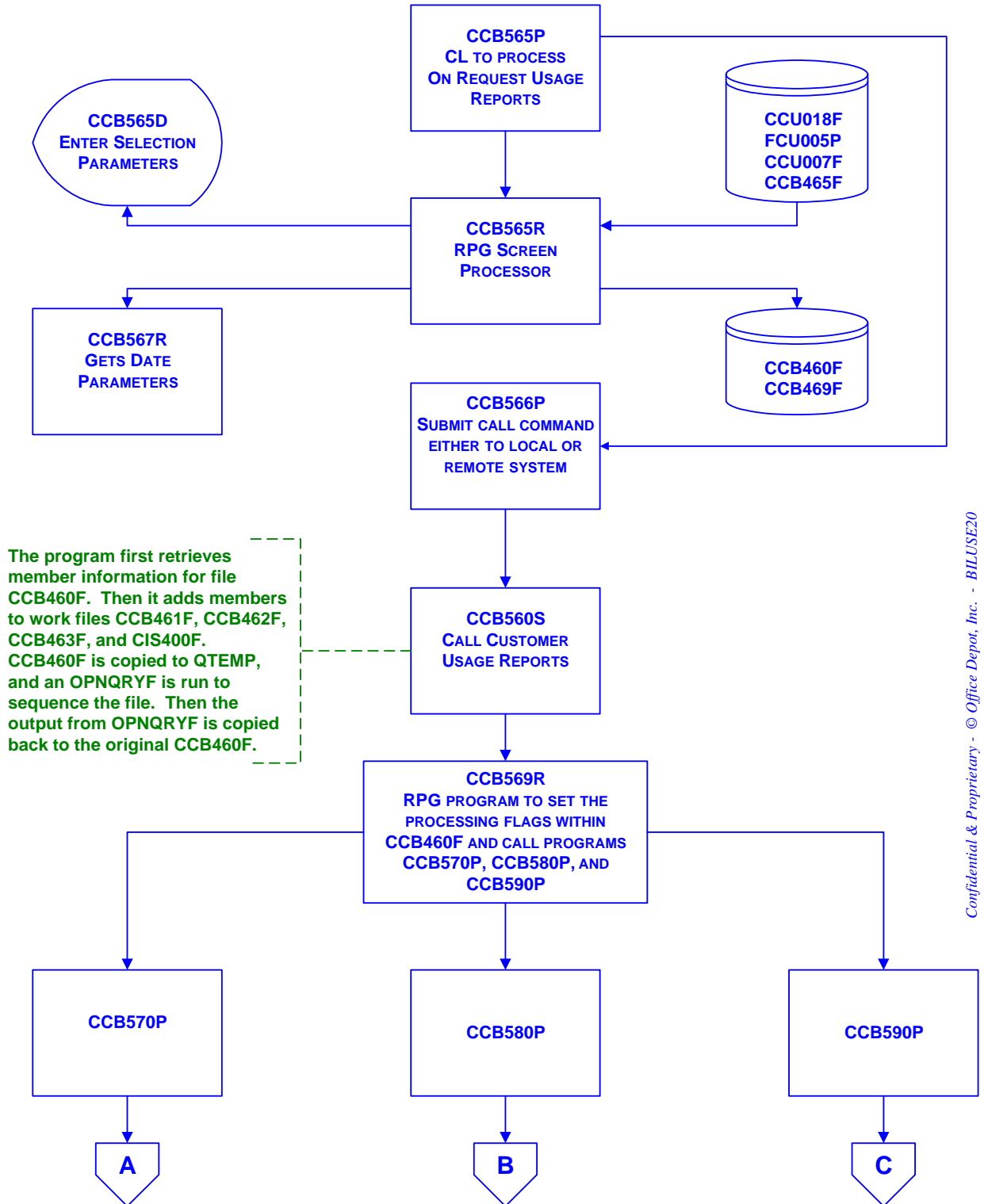
Confidential & Proprietary - © Office Depot, Inc. - BILUSE19

Figure 14. Data Flow: Usage Report / Pre-Defined (Continued from Figure 11)

### 3.3.3. On-Request Reports (Ad Hoc)

On Request Reports (Ad Hoc) are reports that are printed only **on request**, and defined at the time the request is submitted. The frequency is determined and scheduled via requests from users in the field.

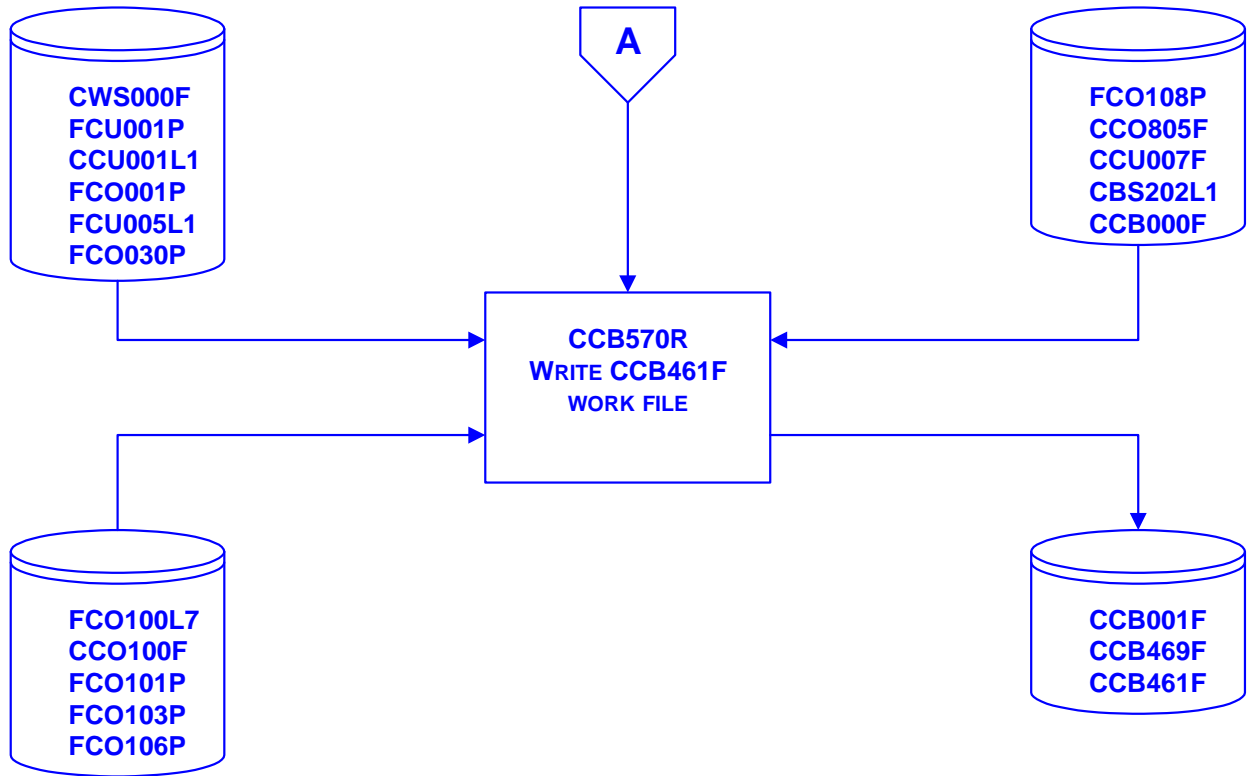
The flow charts provided in this section illustrate the data flow of the On Request Reports (Ad Hoc) sub-system. These data flow charts are illustrated in *Figure 15* through *Figure 18*.



Confidential & Proprietary - © Office Depot, Inc. - BILUSE20

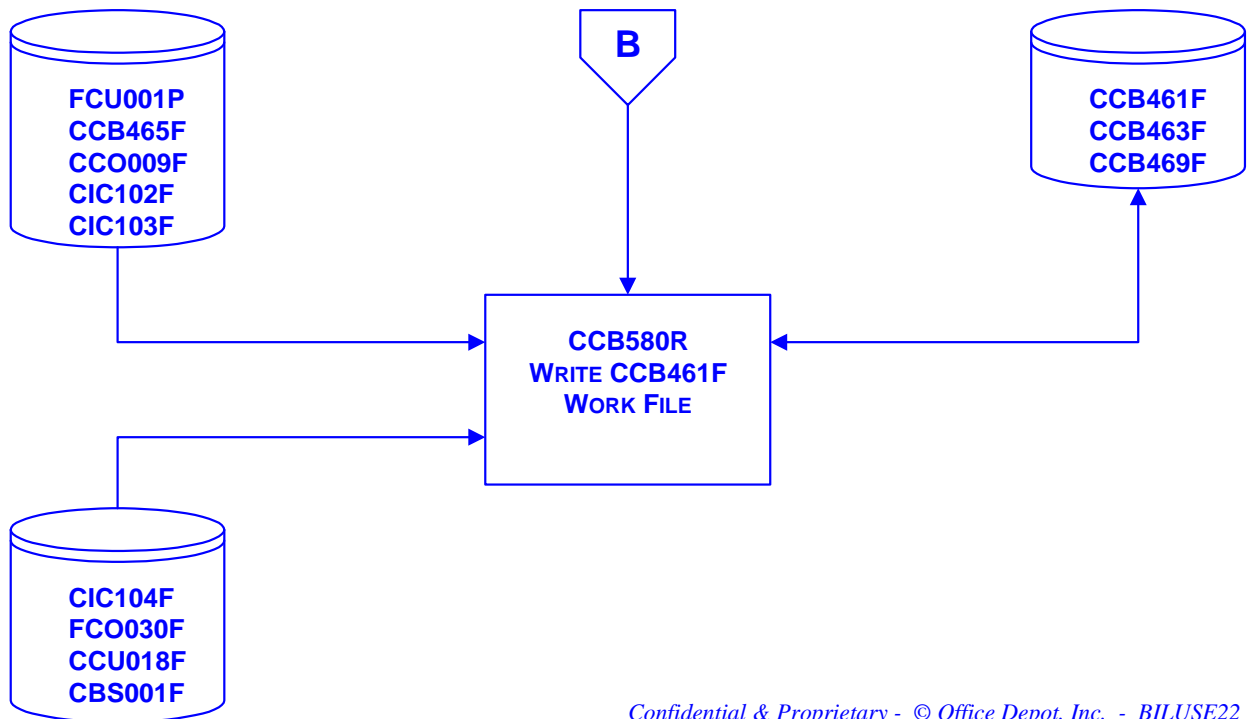
Figure 15. Data Flow: Usage Report / Ad Hoc

**DRAFT**



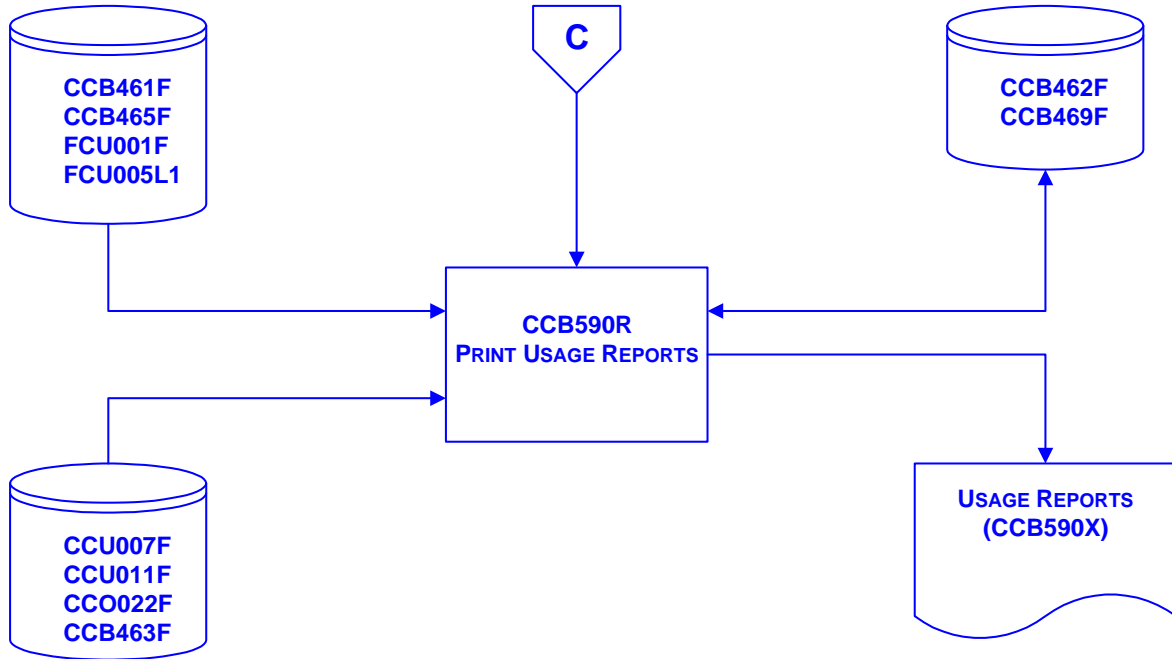
Confidential & Proprietary - © Office Depot, Inc. - BILUSE21

Figure 16. Data Flow: Usage Report / Ad Hoc (Continued from Figure 15)



Confidential & Proprietary - © Office Depot, Inc. - BILUSE22

Figure 17. Data Flow: Usage Report / Ad Hoc (Continued from Figure 15)



Confidential & Proprietary - © Office Depot, Inc. - BILUSE23

Figure 18. Data Flow: Usage Report / Ad Hoc (Continued from Figure 15)

**DRAFT**



#### 4. FILE LAYOUTS

**Diane Barrameo will provide  
on 04-29-97**

## 5. PROGRAMMING RULES

**Will evolve during testing.**